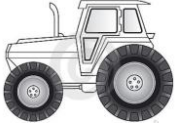
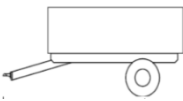



Summary of Agricultural Tractor Weight Limits

<u>Weight Limits – Agricultural Tractors</u>		
		
No of Axles	Axle Spacing	National Weight Limit
2	N/A	18 tonnes
3	N/A	24 tonnes


Summary of Agricultural Trailer Weight Limits

<u>Weight Limits – Rigid Drawbar (i.e. Unbalanced) Single Axle Agricultural Trailers</u>			
			
Axle spacing	National Weight Limit Hook/Pin & Eye Type Coupling	National Weight Limit 80mm Ball & Spoon Type Coupling	Technical Requirements
N/A	13 tonnes (10 tonnes on axle & 3 on drawbar)	14 tonnes (10 tonnes on axle & 4 on drawbar)	No Suspension Required

<u>Weight Limits – Rigid Drawbar (i.e. Unbalanced) Tandem Axle Agricultural Trailers</u>			
			
Axle spacing	National Weight Limit Hook/Pin & Eye Type Coupling	National Weight Limit 80mm Ball & Spoon Type Coupling	Technical Requirements
Less than 1.3 metres	19 tonnes (8 tonnes per axle & 3 on drawbar)	20 tonnes (8 tonnes per axle & 4 on drawbar)	No Suspension Required
1.3 metres or greater	21 tonnes (9 tonnes per axle & 3 on drawbar)	22 tonnes (9 tonnes per axle & 4 on drawbar)	Flexible Suspension Required
1.3 metres or greater	23 tonnes (10 tonnes per axle & 3 on drawbar)	24 tonnes (10 tonnes per axle & 4 on drawbar)	Flexible Suspension & Flotation Tyres (≥500mm wide) Required
1.8 metres or greater	23 tonnes (10 tonnes per axle & 3 on drawbar)	24 tonnes (10 tonnes per axle & 4 on drawbar)	Flexible Suspension & Steering Axle Required

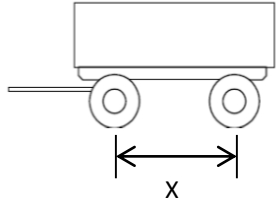
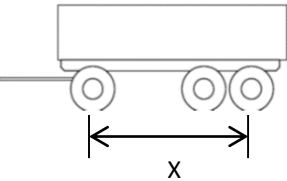
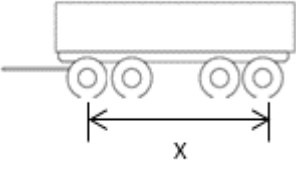
This leaflet contains information on the maximum permitted weights for agricultural tractors and their trailers; and is intended as a general guide for industry, farmers, agricultural contractors and interested members of the public. It is not an interpretation of the law.

Agricultural Trailer Weight Limits Continued

<u>Weight Limits – Rigid Drawbar (i.e. Unbalanced) Triaxle Agricultural Trailers</u>			
			
Axle spacing	National Weight Limit Hook/Pin & Eye Type Coupling	National Weight Limit 80mm Ball & Spoon Type Coupling	Technical Requirements
Less than 1.3 metres	24 tonnes (7 tonnes per axle & 3 on drawbar)	25 tonnes (7 tonnes per axle & 4 on drawbar)	No Suspension Required
1.3 metres or greater	27 tonnes (8 tonnes per axle & 3 on drawbar)	28 tonnes (8 tonnes per axle & 4 on drawbar)	Flexible Suspension Required
1.3 metres or greater	30 tonnes (9 tonnes per axle & 3 on drawbar)	31 tonnes (9 tonnes per axle & 4 on drawbar)	Flexible Suspension & Flotation Tyres (≥500mm wide) Required
1.8 metres or greater	33 tonnes (10 tonnes per axle & 3 on drawbar)	34 tonnes (10 tonnes per axle & 4 on drawbar)	Flexible Suspension, Flotation tyres (>500mm wide) and Steering Axles (i.e. Both Foremost & Rearmost Axles) Required

This leaflet contains information on the maximum permitted weights for agricultural tractors and their trailers; and is intended as a general guide for industry, farmers, agricultural contractors and interested members of the public. It is not an interpretation of the law.

Agricultural Trailer Weight Limits Continued

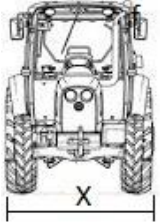
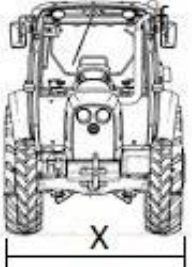
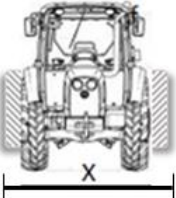
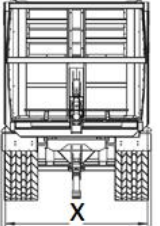
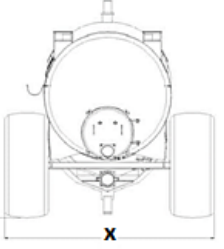
<u>Weight Limits - Drawbar/Centre Axle (i.e. Balanced) Agricultural Trailers</u>		
<p><u>Double axle</u></p> 	<p>Axle spacing (X)</p>	<p>National Weight Limit</p>
	<p>Less than 3.0 metres</p>	<p>16 tonnes</p> <p>(8 tonnes per axle)</p>
	<p>3.0 metres or greater</p>	<p>18 tonnes</p> <p>(9 tonnes per axle)</p>
<p><u>Triaxle</u></p> 	<p>Tonnes/Metre (X)</p>	<p>25 tonnes</p>
	<p>5.5 tonnes</p>	
<p><u>Four axle</u></p> 	<p>Tonnes/Metre (X)</p>	<p>30 tonnes</p>
	<p>5 tonnes</p>	

This leaflet contains information on the maximum permitted weights for agricultural tractors and their trailers; and is intended as a general guide for industry, farmers, agricultural contractors and interested members of the public. It is not an interpretation of the law.

Summary of Dimensional Limits Applicable to Agricultural Vehicles

MAXIMUM WIDTHS

THESE DIMENSIONS DO NOT APPLY TO A VEHICLE FOR GRASS CUTTING, HEDGE-TRIMMING OR FORESTRY OPERATIONS WHILE USED IN THE DAY TIME

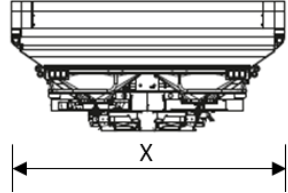

DESCRIPTION	WIDTH (X)	IMAGE
AGRICULTURAL TRACTOR	2.55 metres	
LARGE TRACTOR (I.E. A TRACTOR WITH AN UNLADEN WEIGHT EXCEEDING 7.25 TONNES)	2.75 metres	
AGRICULTURAL TRACTOR FITTED WITH FLOTATION TYRES OR DUAL WHEEL SYSTEMS	3.5 metres	
AGRICULTURAL TRAILER	2.55 metres ¹	
INTERCHANGEABLE TOWED EQUIPMENT	3.0 metres	

¹ The 2.55 metre limit excludes the part of flotation tyres and mudguards protruding beyond the bodywork, up to a maximum of 100 millimetres on each side of the vehicle, and devices associated with hydraulic rear door opening mechanisms.

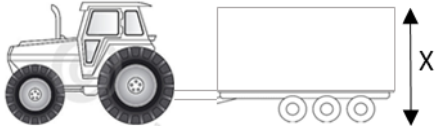
This leaflet contains information on the maximum permitted weights for agricultural tractors and their trailers; and is intended as a general guide for industry, farmers, agricultural contractors and interested members of the public. It is not an interpretation of the law.

MAXIMUM WIDTHS

THESE DIMENSIONS DO NOT APPLY TO A VEHICLE FOR GRASS CUTTING, HEDGE-TRIMMING OR FORESTRY OPERATIONS WHILE USED IN THE DAY TIME

DESCRIPTION	WIDTH (X)	IMAGE
FULLY MOUNTED AGRICULTURAL EQUIPMENT	3.0 metres	
SELF PROPELLED AGRICULTURAL MACHINERY	3.5 metres ²	

MAXIMUM HEIGHT

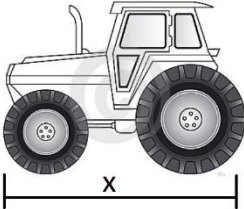
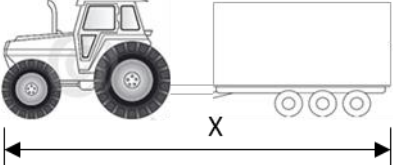
DESCRIPTION	HEIGHT (X)	IMAGE
ALL AGRICULTURAL VEHICLES/VEHICLE & TRAILER/INTERCHANGEABLE TOWED EQUIPMENT COMBINATIONS	4.65 metres ³	

²Self-propelled agricultural machinery can be wider than 3.5 metres so long as when travelling on public roads it has an escort vehicle. This escort vehicle must drive in front, use dipped headlights and carry working flashing amber beacons and a “CAUTION - WIDE LOAD FOLLOWING” sign. The machinery being escorted must also carry flashing amber beacons, one of which must be visible to the rear and display a “WIDE LOAD” sign to the rear.

³ The 4.65m limit does not apply to vehicles/combinations of vehicles and trailers transporting agricultural produce (i.e. hay, silage straw or other animal fodder) which is baled.

This leaflet contains information on the maximum permitted weights for agricultural tractors and their trailers; and is intended as a general guide for industry, farmers, agricultural contractors and interested members of the public. It is not an interpretation of the law.

MAXIMUM LENGTH

DESCRIPTION	LENGTH (X)	IMAGE
<p>AGRICULTURAL VEHICLES – For example a tractor, trailer, piece of interchangeable towed equipment or a self-propelled agricultural machine</p>	<p>12 metres</p>	
<p>AGRICULTURAL VEHICLE COMBINATIONS – For example a tractor and trailer/interchangeable towed equipment combination.</p>	<p>18.75 metres</p>	

This leaflet contains information on the maximum permitted weights for agricultural tractors and their trailers; and is intended as a general guide for industry, farmers, agricultural contractors and interested members of the public. It is not an interpretation of the law.